

Rev. 10/14 - Part No. 300804-000

YOUTH
ARCHERY

Daisy

A Product of Daisy Outdoor Products

OPERATION MANUAL

Longbow Model YA4001
Compound Bow Model YA4002
Crossbow Model YA4003

READ ALL INSTRUCTIONS BEFORE USING. THE PURCHASER AND USER SHOULD CONFORM TO ALL LAWS GOVERNING THE USE AND OWNERSHIP OF ARCHERY EQUIPMENT.

WARNING: AGES 18 AND UNDER SHOULD ALWAYS HAVE ADULT SUPERVISION**WARNING:** A BOW IS NOT A TOY. ADULT SUPERVISION IS REQUIRED. MISUSE OR CARELESS USE MAY CAUSE INJURY OR DEATH.

SHOOT SAFELY!

NOTE TO PARENTS

Daisy Youth Archery equipment is **NOT A TOY** and is designed for the beginner archer. Those under 18 years of age should always have adult supervision. Young archers will have fun, learn an exciting sport and gain confidence with the release of each arrow. Take time to review the shooting safety rules together with your child and read this operation manual completely before shooting.

SAFETY RULES

1. **Do not dry-fire your bow or crossbow.** Do not draw back and release the bowstring without having an arrow nocked or bolt loaded. Use only the proper arrow for your bow and only the proper bolt for your crossbow.
2. **Before shooting, and regularly, inspect your arrows, bolts and nocks.** Damaged arrows, bolts or nocks may cause serious injury. Discard and DO NOT USE any arrow or bolt that is damaged, dented, split, splintered or any arrows or bolts with cracked or broken nocks.
3. **Before shooting, and regularly, inspect your limbs, riser, string, cams, cables, arrow rest and hardware.** DO NOT USE archery equipment if any parts are broken or not working properly.
4. **Keep your bow and arrows and crossbow and bolts pointed in a safe direction.** Never aim at anything you don't intend to shoot and never aim, point or draw a bow or crossbow toward another person.
5. **Do not nock an arrow or load a bolt unless you are ready to shoot.**
6. **Check your target and beyond your target.** Be sure all persons are well clear of the target area before you shoot. Check behind and beyond your target to be certain you have a safe backstop and that no person or property could be endangered.
7. **Anyone shooting or near a shooter should wear shooting glasses.** Also, all other persons should remain behind the shooter. Never shoot when anyone is between you and your target.
8. **Never climb or jump with your bow or crossbow if an arrow is nocked or a bolt is loaded.** When climbing or jumping you can't control your bow or crossbow if you stumble or fall.
9. **Respect other people's property.** If you're a guest on other's land, you should leave it exactly as you found it.

GETTING READY TO SHOOT YOUR LONGBOW OR COMPOUND BOW

The shooter and supervisor and anyone standing nearby should all be wearing shooting glasses. No one should be in front of the shooter or between the shooter and the target.



FIG. 1



FIG. 2



FIG. 3

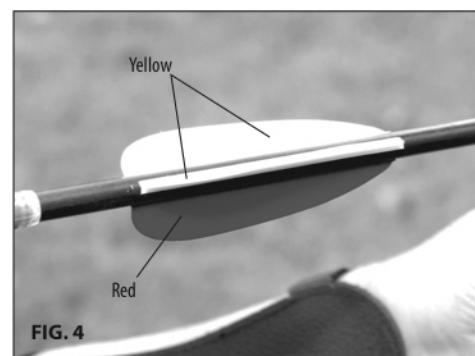


FIG. 4



FIG. 5



FIG. 6

SHOOTING

- A right-handed shooter should stand with their body at a right angle to the target and their left shoulder toward the target. (See Fig. 1.) Left-handed shooters will reverse these instructions.
- Hold the bow lightly with your left hand and extend your hand and bow toward the target keeping your left arm slightly bent. Turn your head to the left to look down your left arm toward the target.
- Set the nock of an arrow onto the string with the arrow perpendicular (forming a right angle) to the string. (See Fig. 2.)
- The arrow should set on top (in the "V") of the rest (NOT THROUGH THE HOLE). (See Fig. 3.)
- The odd-colored fletching of the arrow should be on the bottom. (See Fig. 4.)
- Place the fingers of your right hand onto the string with the first joint crease of the first (pointer) finger curling around the string on the

single finger roller on top of the arrow nock. The middle and third fingers should be curled around the string (at the first joint crease of each finger) below the arrow on the remaining finger rollers. It is necessary that the string finger rollers contact each finger at the crease of each finger's first joint. The rest of the hand should be flat and aligned with your arm. (NOTE: Some shooters may prefer to place all three fingers beneath the arrow nock.) (See Fig. 5.)

- Draw the string back to your jaw on the right side of your face with your fingers aligned with the corner of your mouth. (See Fig. 6.)
- Using your right eye, acquire the target with the sight, aim and let go of the string to shoot. The single-pin sight is installed on the right side of the frame for right-handed shooters and may be moved to the left side for left-handed shooters.

NOTE: Left-handed or left eye dominant shooters will reverse these instructions.

DAISY YOUTH ARCHERY LONGBOW MODEL YA4001

Daisy's Model YA4001 Longbow is recommended for ages 10 and older with adult supervision. It features durable fiberglass limbs and ambidextrous shoot-thru riser for both right-handed and left-handed archers. The approximately 12 to 18 lb. draw weight and 24" maximum draw length is perfect for youngsters. The single pin adjustable sight is effective as close as six meters.

WARNING: AGES 18 AND UNDER SHOULD ALWAYS HAVE ADULT SUPERVISION. READ ALL INSTRUCTIONS BEFORE USING. THE PURCHASER AND USER SHOULD CONFORM TO ALL LAWS GOVERNING THE USE AND OWNERSHIP OF ARCHERY EQUIPMENT.

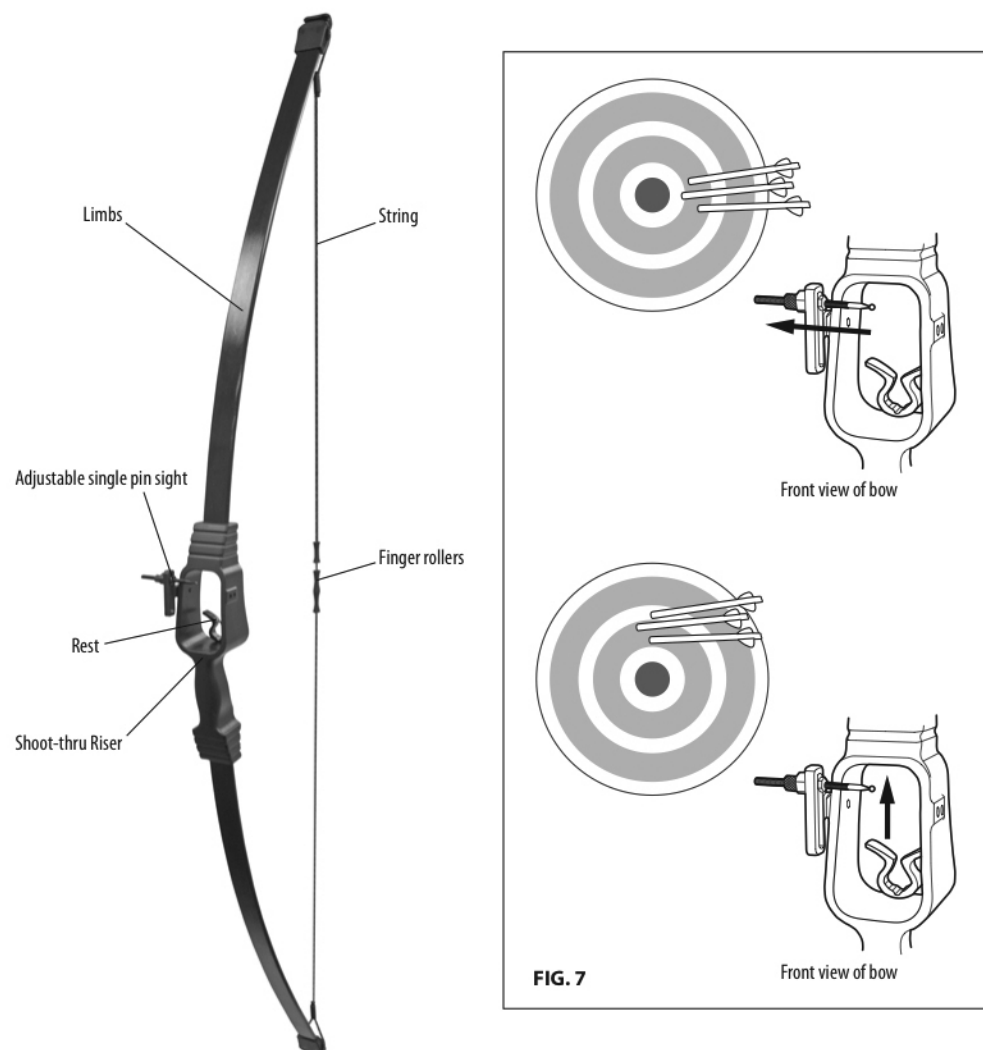


FIG. 7

SIGHT ADJUSTMENT

Daisy's Youth Archery Longbow Model YA4001 features an adjustable single pin sight. Once you shoot at your target multiple times, adjust the sight up or down and right or left.

If your arrow is hitting the target to the right of the bulls-eye, move your sight to the right. If your arrow is hitting above the bulls-eye, move your sight up. (See Fig. 7.)

AMBIDEXTRIOUS CONVERSION

Model YA4001 is set-up for right-handed shooters. To convert the bow for a left-handed shooter, move the sight bracket to the left side of the bow.

SPECIFICATION CHART

| | |
|----------------|-----------------------|
| DRAW WEIGHT | 12 lbs. to 18 lbs. |
| DRAW LENGTH | 24" |
| ARROW LENGTH | 26" |
| ARROW WEIGHT | 481 grains |
| SIGHTS | Adjustable single pin |
| LIMB | Fiberglass |
| OVERALL LENGTH | 44.5" |
| WEIGHT | 1.05 lbs. |

DAISY YOUTH ARCHERY COMPOUND BOW MODEL YA4002

Daisy's Model YA4002 Compound Bow is recommended for ages 10 and older with adult supervision. It features durable fiberglass limbs and ambidextrous shoot-thru riser for both right-handed and left-handed archers. The right and left cable guard, approximately 13, 15 and 17 lb. draw weight and 15" to 24" draw length with 60% let-off is perfect for youngsters. The single pin adjustable sight is effective as close as six meters.

WARNING: AGES 18 AND UNDER SHOULD ALWAYS HAVE ADULT SUPERVISION. READ ALL INSTRUCTIONS BEFORE USING. THE PURCHASER AND USER SHOULD CONFORM TO ALL LAWS GOVERNING THE USE AND OWNERSHIP OF ARCHERY EQUIPMENT.

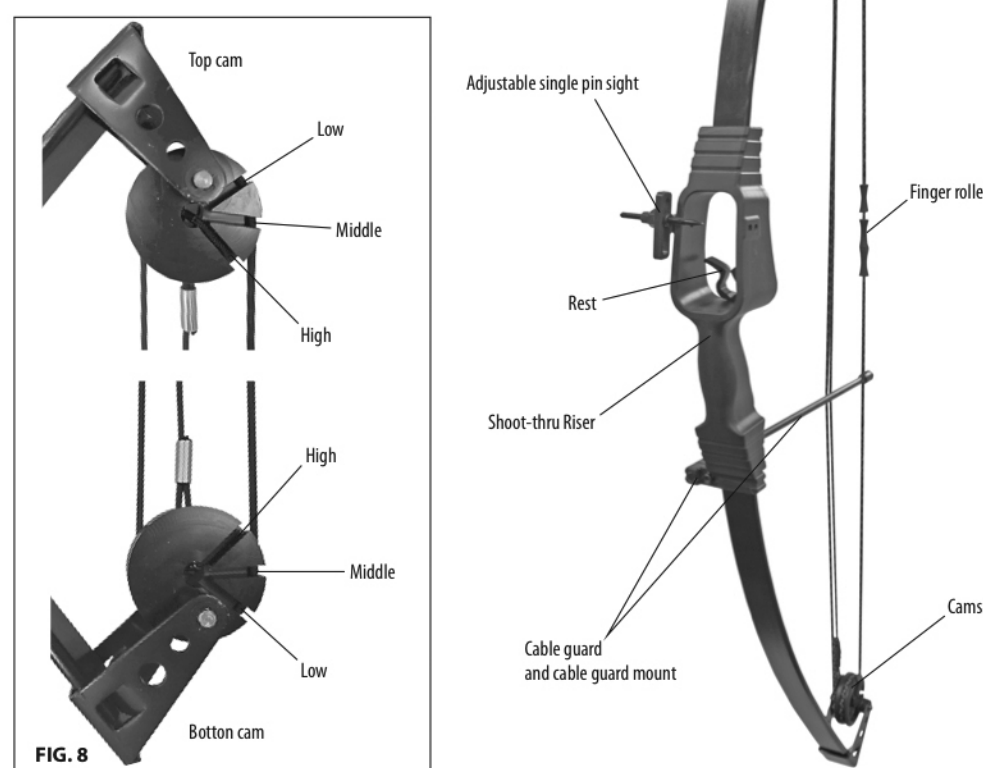


FIG. 8

ADJUSTING THE DRAW LENGTH AND WEIGHT

The Model YA4002 features an adjustable draw length and draw weight. Using a bow press, remove both cam brackets. You can adjust the bow's draw length and draw weight by moving the string to the correct groove on both cams. Ensure that the string is in the same groove position on each cam. (See Fig. 8.)

DRAW LENGTH AND WEIGHT ADJUSTMENT CHART

| Groove | Draw Weight | Draw Length (at breakover point) |
|--------|-------------|----------------------------------|
| Low | 13 lbs. | 15" |
| Middle | 15 lbs. | 17" |
| High | 17 lbs. | 19" |

(Maximum draw length is 24")

SIGHT ADJUSTMENT

Daisy's Youth Archery Compound Bow Model YA4002 features an adjustable, single pin sight. Once you shoot at your target multiple times, adjust the sight up or down and right or left.

If your arrow is hitting the target to the right of the bulls-eye, move your sight to the right. If your arrow is hitting above the bulls-eye, move your sight up. (See Fig. 7.)

AMBIDEXTRIOUS CONVERSION

Model YA4002 is set-up for right-handed shooters with the right-hand cable guard mount attached below the riser. Loosen the Allen screw on the cable guard, insert the cable guard rod (included) and tighten the Allen screw on the cable guard mount.

To convert the bow for a left-handed shooter, use a bow press to flex the limbs and remove and swap the two cam brackets at the ends of the limbs. A right hand cable guard is connected to the limb just below the riser. An optional left hand cable guard is included. With the cam brackets removed you can loosen the right-hand cable guard nut and slide it off the limb, replacing it with the left-hand cable guard. (See Fig. 9.)

NOTE: See Fig. 9 for correct position of the cable guard rod.

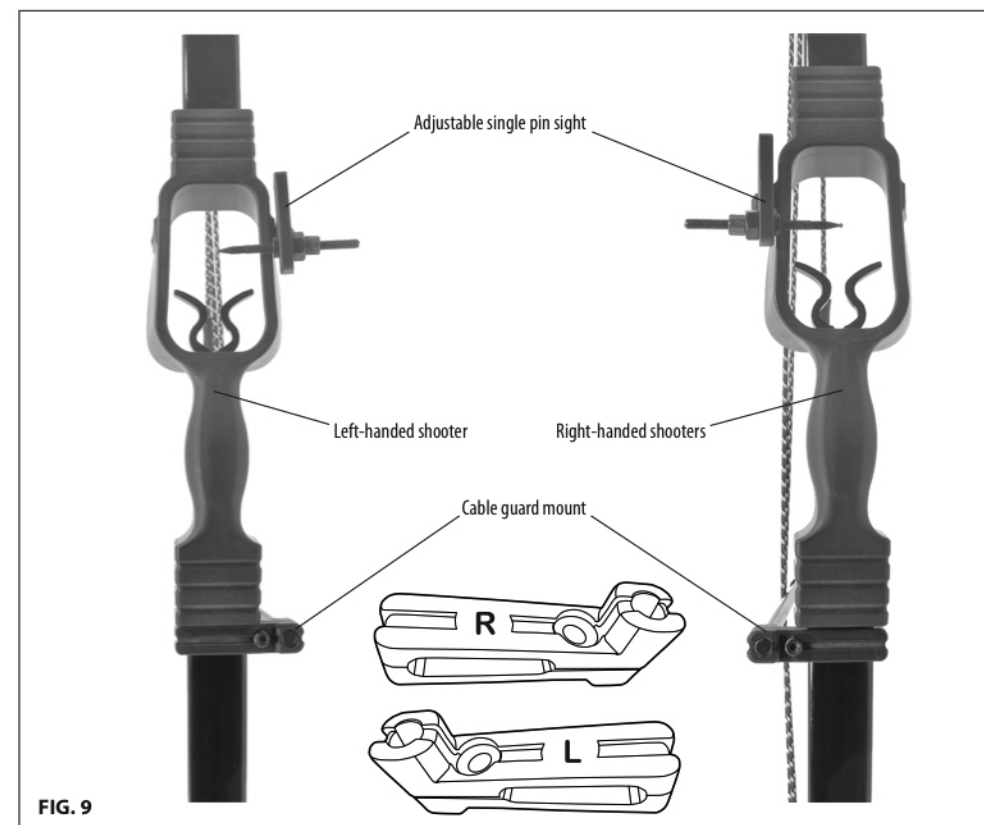


FIG. 9

SPECIFICATION CHART

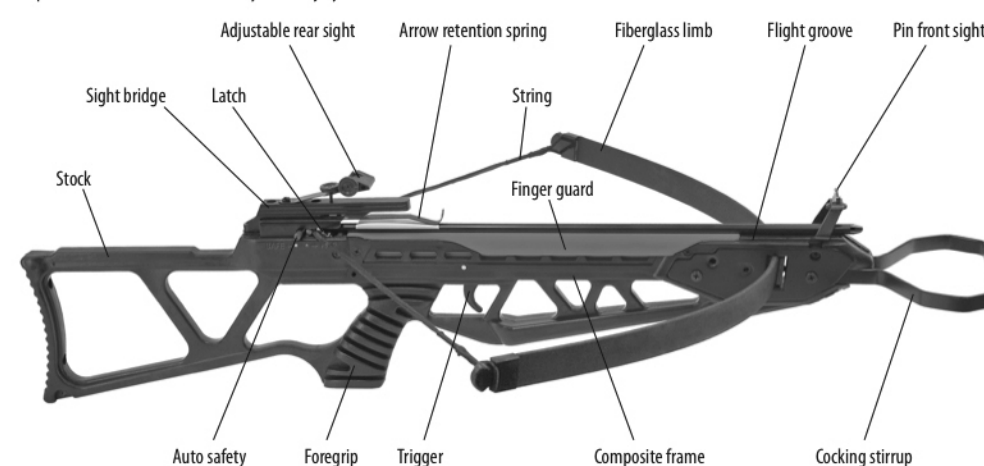
| | |
|----------------|-----------------------|
| DRAW WEIGHT | 13 lbs. to 17 lbs. |
| DRAW LENGTH | 15" to 24" |
| LET OFF | 60% |
| ARROW LENGTH | 26" |
| ARROW WEIGHT | 481 grains |
| SIGHTS | Adjustable single pin |
| LIMB | Fiberglass |
| OVERALL LENGTH | 32.5" |
| WEIGHT | 1.15 lbs. |

DAISY YOUTH ARCHERY CROSSBOW MODEL YA4003

Daisy's Model YA4003 Crossbow is NOT A TOY and is recommended for ages 16 years and older with adult supervision. It features a fiberglass limb and composite frame with cocking stirrup for easier cocking, an adjustable rear sight and pin front sight.

WARNING: AGES 18 AND UNDER SHOULD ALWAYS HAVE ADULT SUPERVISION. READ ALL INSTRUCTIONS BEFORE USING. THE PURCHASER AND USER SHOULD CONFORM TO ALL LAWS GOVERNING THE USE AND OWNERSHIP OF ARCHERY EQUIPMENT.

WARNING: A crossbow is NOT A TOY. This crossbow is recommended for ages 16 and older with adult supervision. Adult supervision is required. Misuse or careless use may cause injury or death.



CROSSBOW ASSEMBLY

1. Attach the limb to the frame.
 - a. Place a pad and the metal plate between the two vertical white lines on the limb with the pad next to the limb.
 - b. Place the remaining pad (pad only) directly on the opposite side of the limb (the side with the warnings printed on it.)
 - c. Insert the limb into the frame so that the side with the warnings faces the limb.
 - d. Be sure the stock is centered between the two vertical white lines on the limb.
 - e. Tighten the screw against the metal plate, holding the limb in place.

NOTE: Be certain the two white lines on the limb are visible, indicating that you have centered the limb in the frame. (See Fig. 10.)

2. Attach the cocking stirrup

Remove the front two screws on both sides of the metal cheek plate and loosen the remaining two screws. Attach the cocking stirrup and tighten all four screws. (See Fig. 11.)

3. Attach the String to the Limb

You may require some help to attach the string to the limb. Bend the bow limb by supporting both ends of the limb and pushing down on the cocking stirrup. (See Fig. 12.)

HOW TO OPERATE

CAUTION: Be sure the crossbow is always pointed in a safe direction.

- Step 1. TAKE "OFF" SAFE (See Fig. 13.) TO COCK

- Step 2. COCK by pulling back on the bowstring until it engages in the latch. (SAFETY RE-ENGAGES WHEN COCKED)

- Step 3. LOAD BOLT

- Step 4. AIM AT A SAFE TARGET

- Step 5. TAKE "OFF" SAFE

- Step 6. FIRE

- Step 1. TAKE "OFF" SAFE (See Fig. 13.) TO COCK

Move the manual safety to the "OFF" safety position. (See Fig. 13.)

CAUTION: The crossbow must always be pointed in a safe direction.

Step 2. COCK

NOTE: SAFETY RE-ENGAGES WHEN COCKED

With your foot in the cocking stirrup, use both hands to pull back evenly on the string so that the center of the string engages the latch. The crossbow is now cocked and the automatic safety is engaged. (See Fig. 14.) Note that safety re-engages (to the "ON" safe position) when cocked.

Step 3. LOAD BOLT

Place a bolt, odd-colored fletching down, into the flight groove, being certain that the bolt is fully back against the trigger mechanism. (See Fig. 15.)

CAUTION: Do not allow tips of your thumb or fingers to extend above the finger guard on the rail. Failure to keep fingers out of the path of the bow string may result in serious injury to your fingers.

Step 4. AIM AT A SAFE TARGET

Mount the butt of the stock of the crossbow to your shoulder as you would mount a rifle. Aim at a safe target with a safe backstop using the adjustable rear and front pin sight. Align the front and rear sight with the bulls-eye of the target on top of the front pin sight. (See Fig. 16.) **NOTE:** Right eye dominant shooters should mount the stock to their right shoulder and align the target using their right eye. Left eye dominant shooters should reverse these instructions.

Step 5. TAKE "OFF" TRIGGER SAFETY

When you are certain that the target, backstop and surrounding area are safe, move the manual safety to the "OFF" safe position. (See Fig. 13.)

CAUTION: Keep the crossbow pointed in a safe direction.

Step 6. FIRE

The crossbow can be fired after completing the above operation steps. After making sure the crossbow is pointed in a safe direction, gently but firmly squeeze the trigger.

CAUTION: Never carry a cocked crossbow. Cock it only when ready to shoot. Even with the manual safety "ON" safe, your crossbow is in a fully loaded condition and must be handled with care.

CAUTION: DO NOT attempt to unload a bolt once the crossbow is loaded and cocked. The only way to safely unload a bolt once the crossbow is loaded and cocked is to shoot it at a safe target.

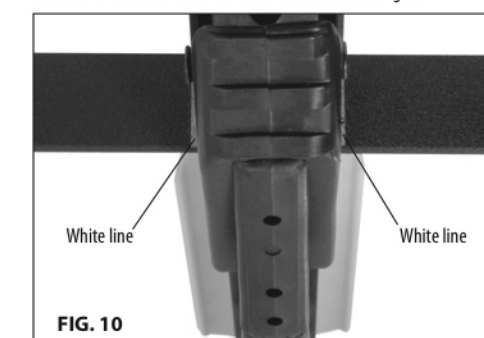


FIG. 10

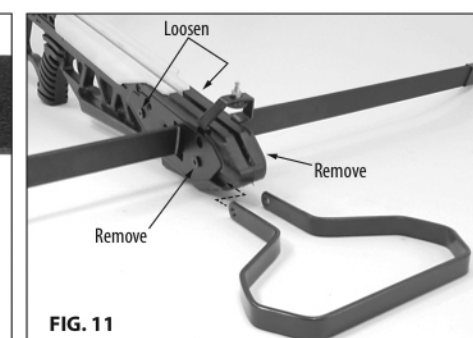


FIG. 11



FIG. 12



FIG. 13



FIG. 14



FIG. 15



FIG. 16

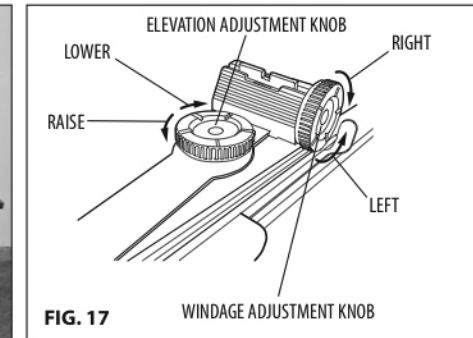


FIG. 17

SIGHT ADJUSTMENT

The Model YA4003 features a rear sight that is adjustable for windage and elevation. If your shot is impacting the target to the left of the bulls-eye, turn the windage wheel clockwise to move your shot to the right (turn it counter clockwise to move your shot left). If your shot is impacting the target above the bulls-eye, turn the elevation wheel clockwise to move the impact down (turn it counter clockwise to move the impact up). (See Fig. 17.)

SPECIFICATION CHART

| | |
|----------------|----------------------------|
| DRAW WEIGHT | 29 lbs. |
| BOLT LENGTH | 16" |
| BOLT WEIGHT | 306 grains |
| SIGHTS | Pin front/Adjustable rear |
| SAFETY | Safety engages when cocked |
| LIMB | Fiberglass |
| OVERALL LENGTH | 30.0" |
| WEIGHT | 3.75 lbs. |

PROPER CARE

Keep your Daisy Youth Archery bow clean by using a soft damp cloth to remove dirt, dust and moisture. Do not use any other cleaning product or solvent on your equipment.

STORAGE

Daisy recommends that you store your arrows and bolts separately from your bow and crossbow to keep them from untrained shooters. Protect your equipment from excessive heat, moisture and dirt. If storing your bow or crossbow for more than one year, consider relaxing the limbs by removing the bow string. Avoid storing your bow or crossbow in, or exposing it to, high temperature.

MODIFICATION

CAUTION: The components of these bows and crossbow were engineered and manufactured to deliver optimum performance. Any modification or tampering may cause a malfunction and may make it unsafe to use. Any change in performance indicates possible modification, tampering and/or wear. Such equipment should be inspected, replaced or properly repaired by qualified personnel.

REPAIR OF DAISY YOUTH ARCHERY EQUIPMENT

BOWS/CROSSBOWS IN WARRANTY LIMITED ONE-YEAR WARRANTY

For one year from date of purchase, Daisy Outdoor Products will repair or replace your bow or crossbow, free of charge if defective in material or workmanship. Service is available by returning the bow to Daisy Outdoor Products. Attach to product, your name, physical address, telephone number description of problem and proof of date of retail purchase (sales slip). Package and send transportation prepaid to Daisy. This Warranty gives you specific legal rights and you may also have other rights which may vary from state to state.

IMPORTANT: You can return your inoperative bow or crossbow to Daisy for repair via United Parcel Service. You must include your street address and phone number for Daisy to send your bow directly back to you through UPS delivery.

BOWS/CROSSBOWS OUT OF WARRANTY

If your Daisy bow or crossbow needs repair, please call 1-800-713-2479 for repair charges. Daisy will repair it or replace it with a reconditioned bow or crossbow of the same model if available. Otherwise, it will be replaced with a model of equivalent quality.

Daisy Outdoor Products, Service Department
308 West Stribling Drive, Rogers, AR 72756 U.S.A.